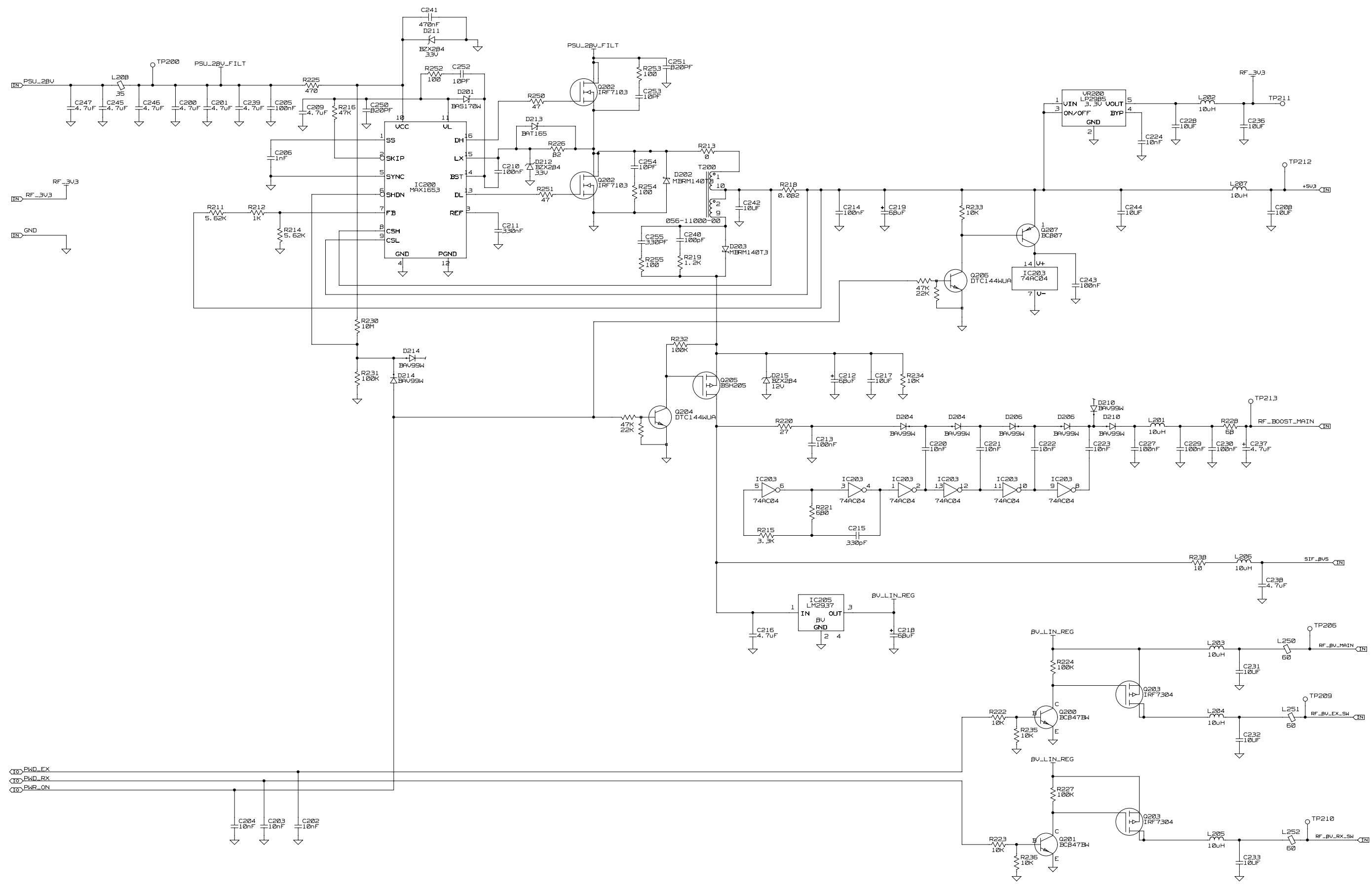


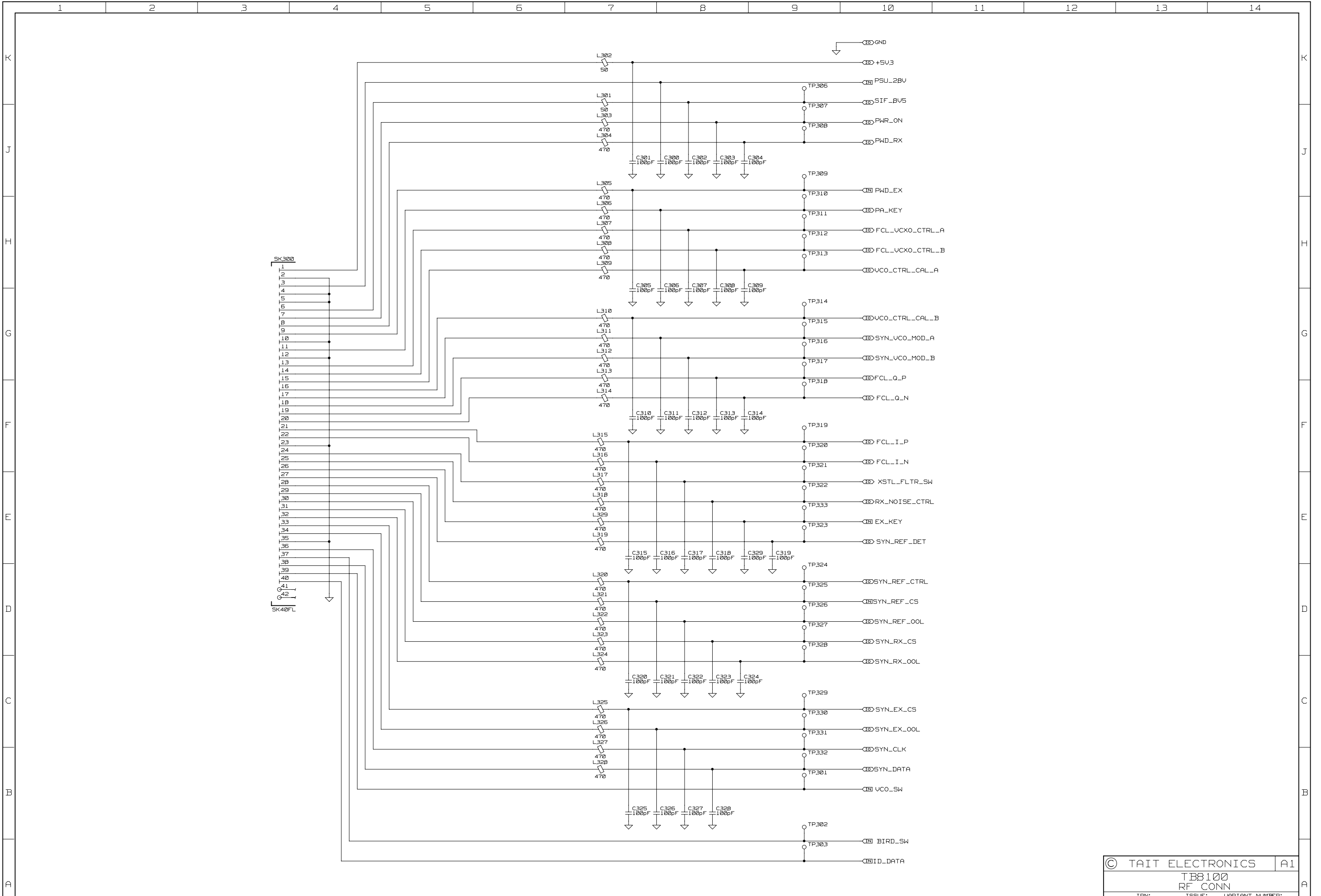
REV/ISS	AMENDMENTS	DRAWN	CHKD	D.O.	APVD	DATE
03A	DC0 02049-002 MINOR MODS AND VARIANT UPDATE	CJK	SH	CJK	SH	14APR05
02B	CORRECTION TO B0 VARIANT IN VARIANT EDITOR	CJK	SH	CJK	SH	09NOV04
02A	DC0 02049-001 UPDATE FOR D3 PERFORMANCE	CJK	SH	CJK	SH	05OCT04
01A	INITIAL DESIGN MODIFIED FROM 226-02297-02	CJK	SH	CJK	SH	16/06/04

© TAIT ELECTRONICS		A1
TB8100		
UHF RECITER RF TOP LEVEL		
IPN: 220-02049-03	ISSUE: A	VARIANT NUMBER: B3
FILE DATE: Wed Jun 15 15:44:53 2005		
ENGINEER: S Heald	FILE NAME: 220_02049	SHEET NUMBER: 1 OF 14



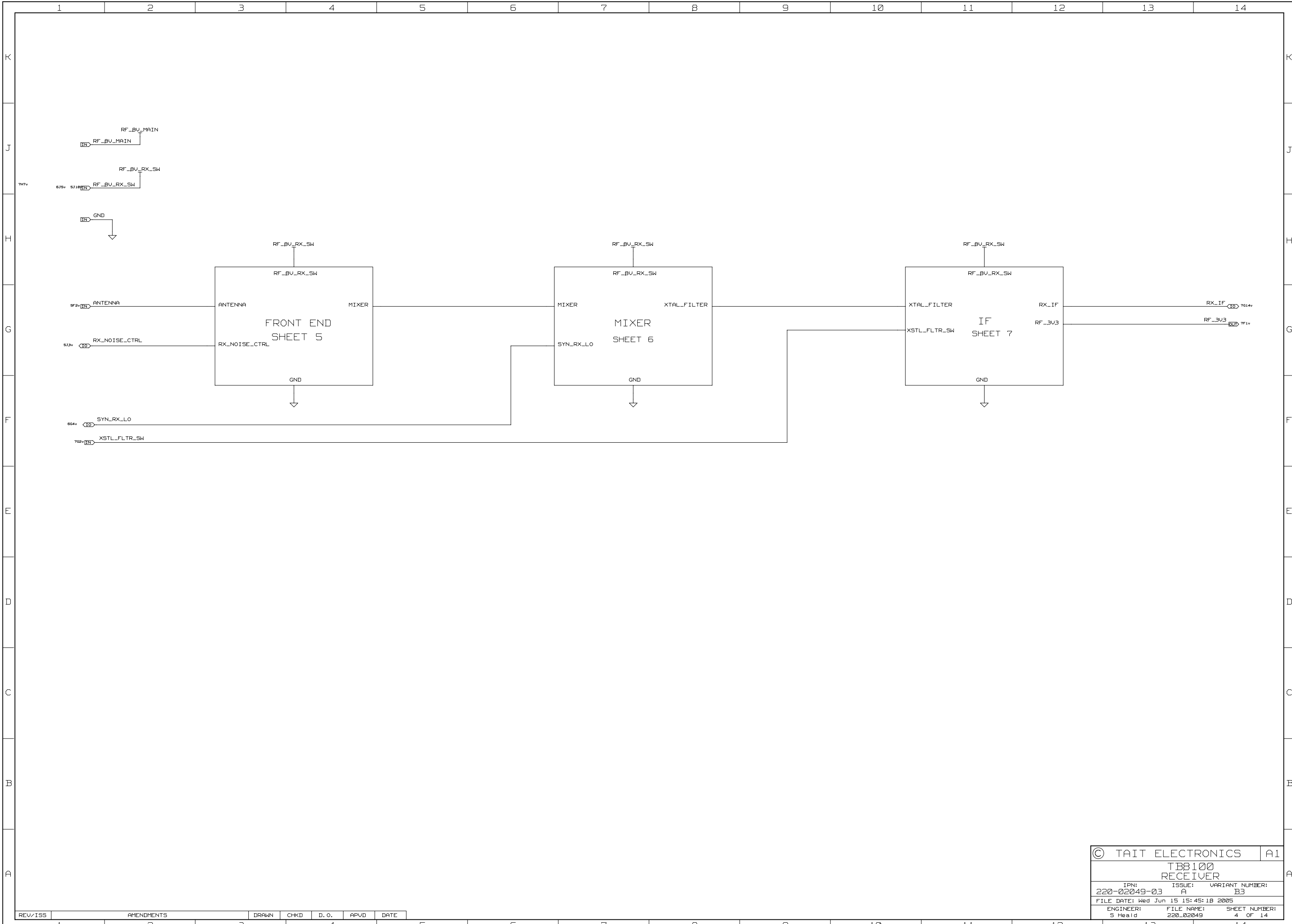
© TAIT ELECTRONICS		A1
TB8100 POWER SUPPLY		
IPN: 220-02049-03	ISSUE: A	VARIANT NUMBER: B3
FILE DATE: Wed Jun 15 15:45:07 2005		
ENGINEER: S Heald	FILE NAME: 220_02049	SHEET NUMBER: 2 OF 14

REV/ISS	AMENDMENTS	DRAWN	CHKD	D.O.	APVD	DATE
1						



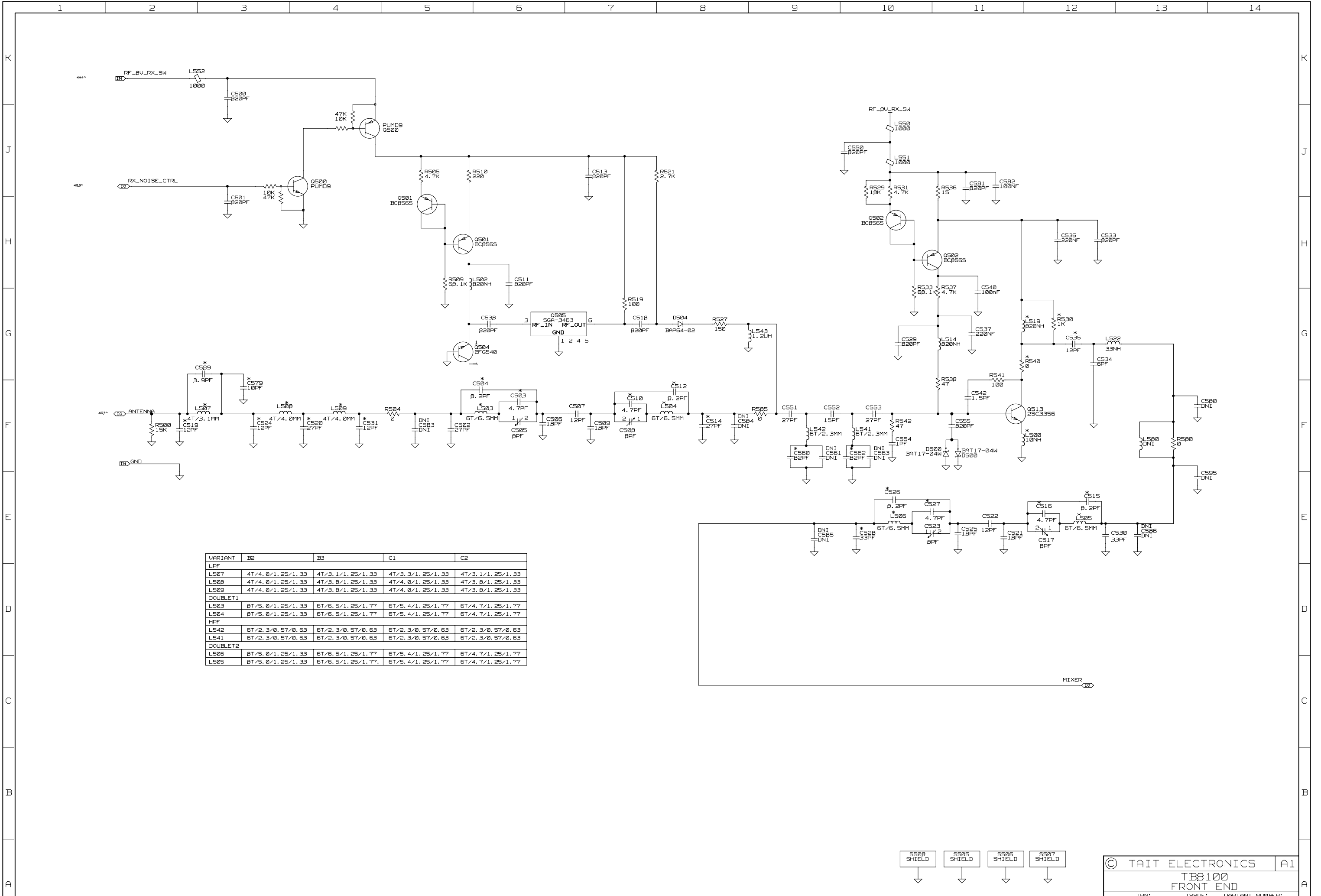
© TAIT ELECTRONICS		A1
TB8100 RF_CONN		
IPN: 220-02049-03	ISSUE: A	VARIANT NUMBER: B3
FILE DATE: Wed Jun 15 15:45:17 2005		
ENGINEER: S Heald	FILE NAME: 220_02049	SHEET NUMBER: 3 OF 14

REV/ISS	AMENDMENTS	DRAWN	CHKD	D. o.	APVD	DATE
1						

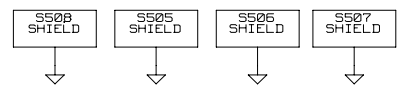


© TAIT ELECTRONICS		A1
TB8100 RECEIVER		
IPN: 220-02049-03	ISSUE: A	VARIANT NUMBER: B3
FILE DATE: Wed Jun 15 15:45:18 2005		
ENGINEER: S Heald	FILE NAME: 220_02049	SHEET NUMBER: 4 OF 14

REV/ISS	AMENDMENTS	DRAWN	CHKD	D. O.	APVD	DATE
1						

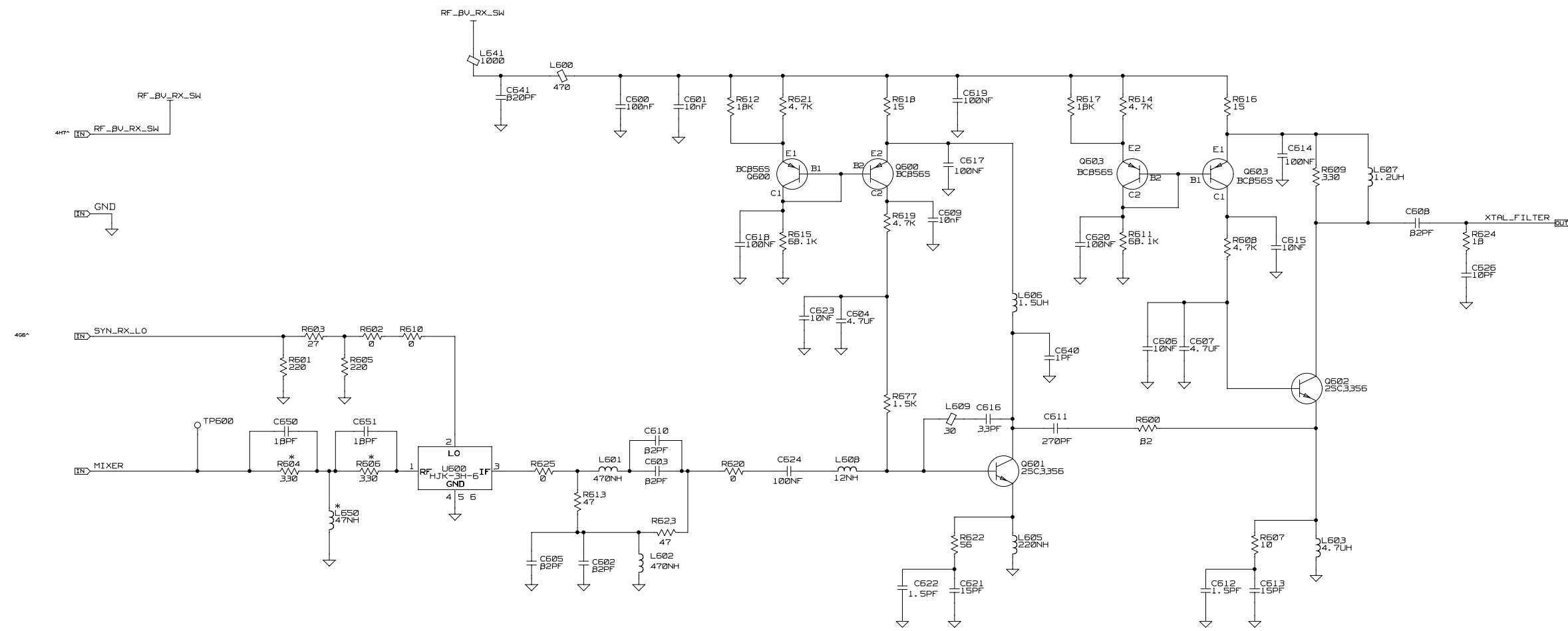


VARIANT	B2	B3	C1	C2
LPF				
L507	4T/4.0/1.25/1.33	4T/3.1/1.25/1.33	4T/3.3/1.25/1.33	4T/3.1/1.25/1.33
L508	4T/4.0/1.25/1.33	4T/3.8/1.25/1.33	4T/4.0/1.25/1.33	4T/3.8/1.25/1.33
L509	4T/4.0/1.25/1.33	4T/3.8/1.25/1.33	4T/4.0/1.25/1.33	4T/3.8/1.25/1.33
DOUBLET1				
L503	6T/5.0/1.25/1.33	6T/6.5/1.25/1.77	6T/5.4/1.25/1.77	6T/4.7/1.25/1.77
L504	6T/5.0/1.25/1.33	6T/6.5/1.25/1.77	6T/5.4/1.25/1.77	6T/4.7/1.25/1.77
HPF				
L542	6T/2.3/0.57/0.63	6T/2.3/0.57/0.63	6T/2.3/0.57/0.63	6T/2.3/0.57/0.63
L541	6T/2.3/0.57/0.63	6T/2.3/0.57/0.63	6T/2.3/0.57/0.63	6T/2.3/0.57/0.63
DOUBLET2				
L506	6T/5.0/1.25/1.33	6T/6.5/1.25/1.77	6T/5.4/1.25/1.77	6T/4.7/1.25/1.77
L505	6T/5.0/1.25/1.33	6T/6.5/1.25/1.77	6T/5.4/1.25/1.77	6T/4.7/1.25/1.77



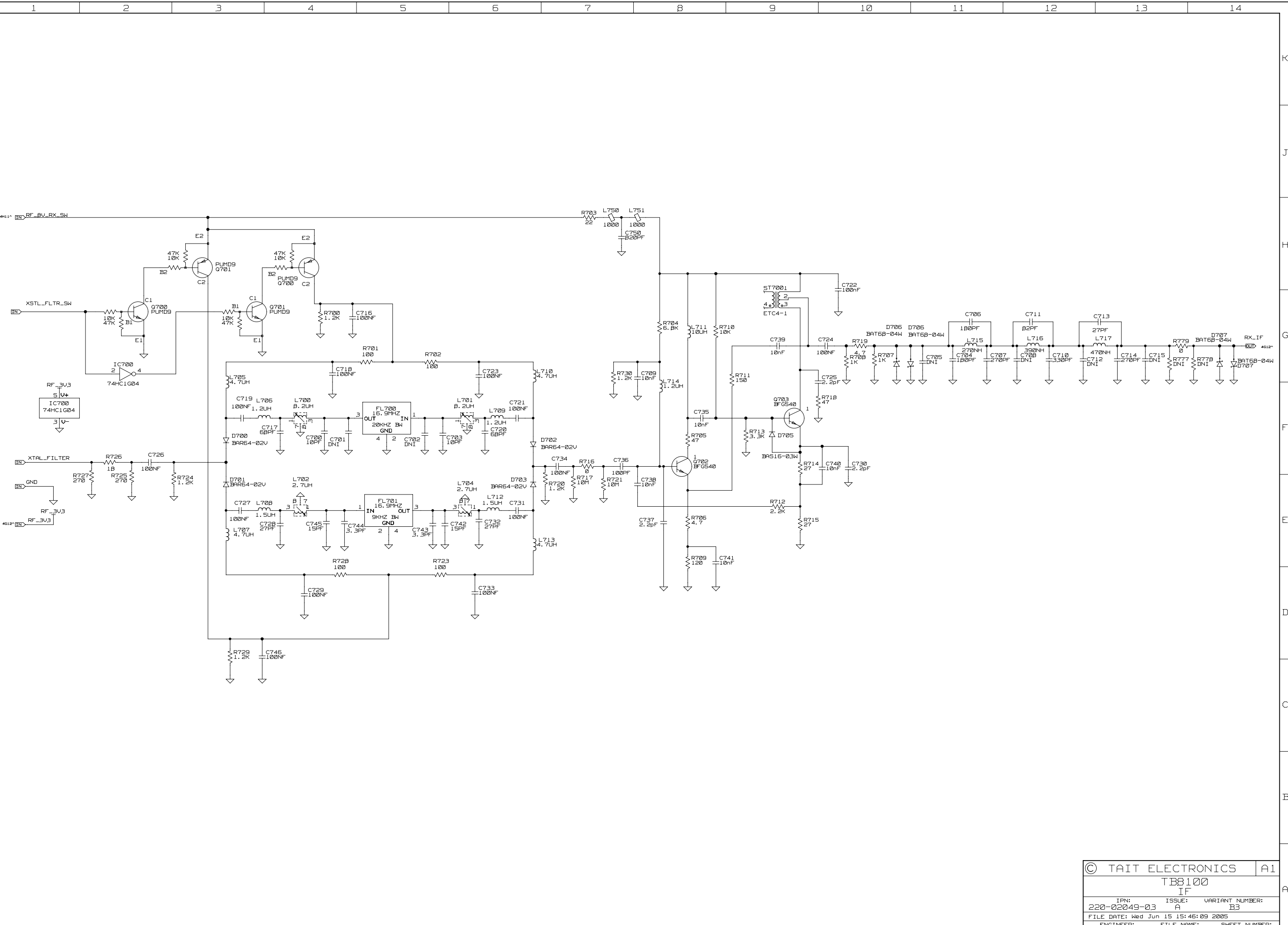
© TAIT ELECTRONICS		A1
TB8100 FRONT END		
IPN: 220-02049-03	ISSUE: A	VARIANT NUMBER: B3
FILE DATE: Wed Jun 15 15:45:40 2005		
ENGINEER: S Heald	FILE NAME: 220_02049	SHEET NUMBER: 5 OF 14

REV/ISS	AMENDMENTS	DRAWN	CHKD	D.O.	APVD	DATE
1						



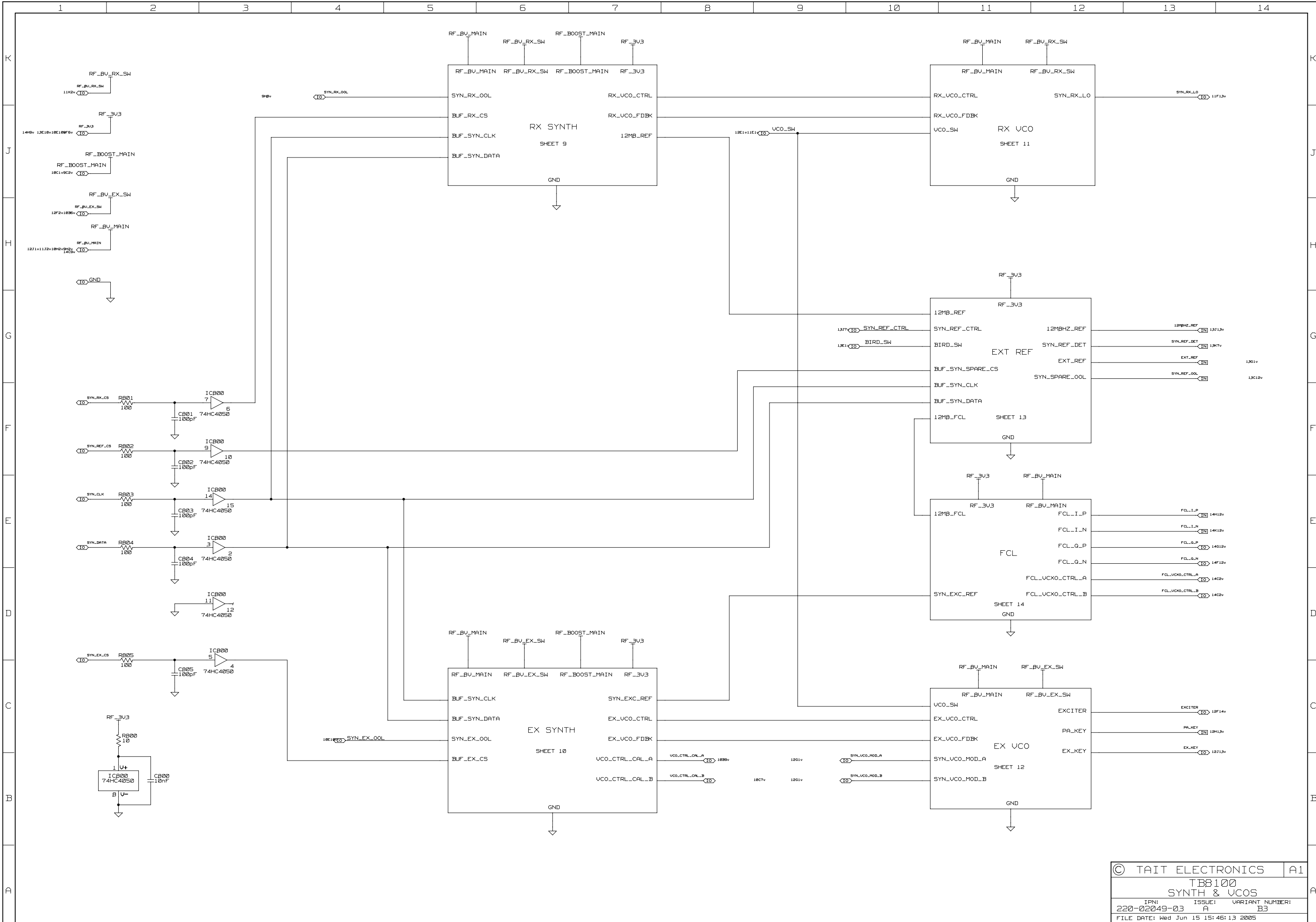
© TAIT ELECTRONICS		A1
T8100 MIXER		
IPN: 220-02049-03	ISSUE: A	VARIANT NUMBER: B3
FILE DATE: Wed Jun 15 15:45:55 2005		
ENGINEER: S Heald	FILE NAME: 220_02049	SHEET NUMBER: 6 OF 14

REV/ISS	AMENDMENTS	DRAWN	CHKD	D.O.	APVD	DATE
1						



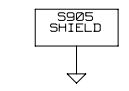
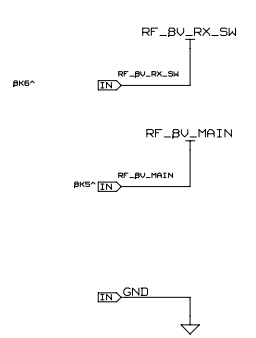
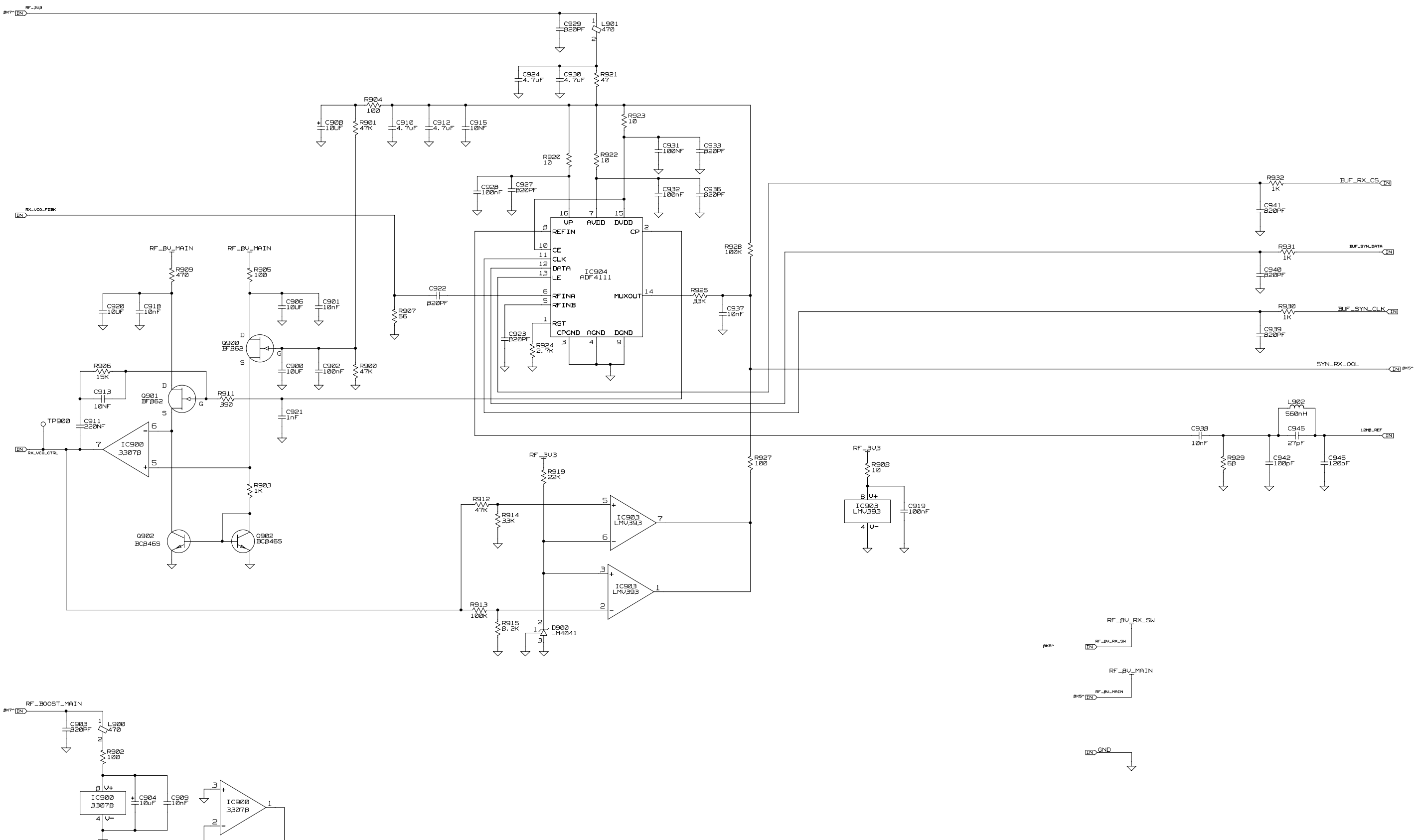
© TAIT ELECTRONICS		A1
TB8100 IF		
IPN: 220-02049-03	ISSUE: A	VARIANT NUMBER: B3
FILE DATE: Wed Jun 15 15:46:09 2005		
ENGINEER: S Heald	FILE NAME: 220_02049	SHEET NUMBER: 7 OF 14

REV/ISS	AMENDMENTS	DRAWN	CHKD	D. O.	APVD	DATE
1						



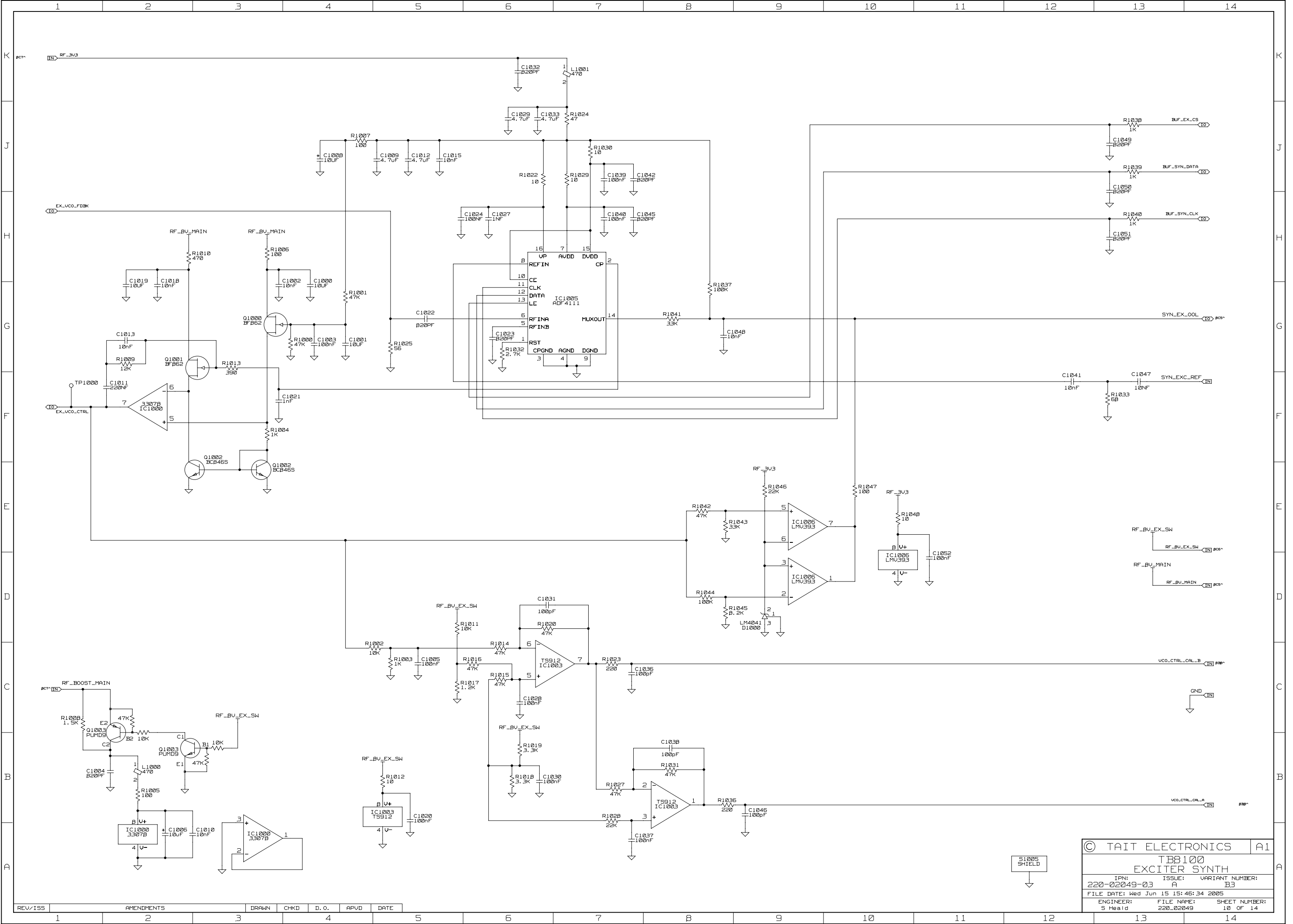
© TAIT ELECTRONICS		A1
TB8100		
SYNTH & UCOS		
IPN: 220-02049-03	ISSUE: A	VARIANT NUMBER: B3
FILE DATE: Wed Jun 15 15:46:13 2005		
ENGINEER: S Heald	FILE NAME: 220_02049	SHEET NUMBER: B OF 14

REV/ISS	AMENDMENTS	DRAWN	CHKD	D.O.	APVD	DATE
1						



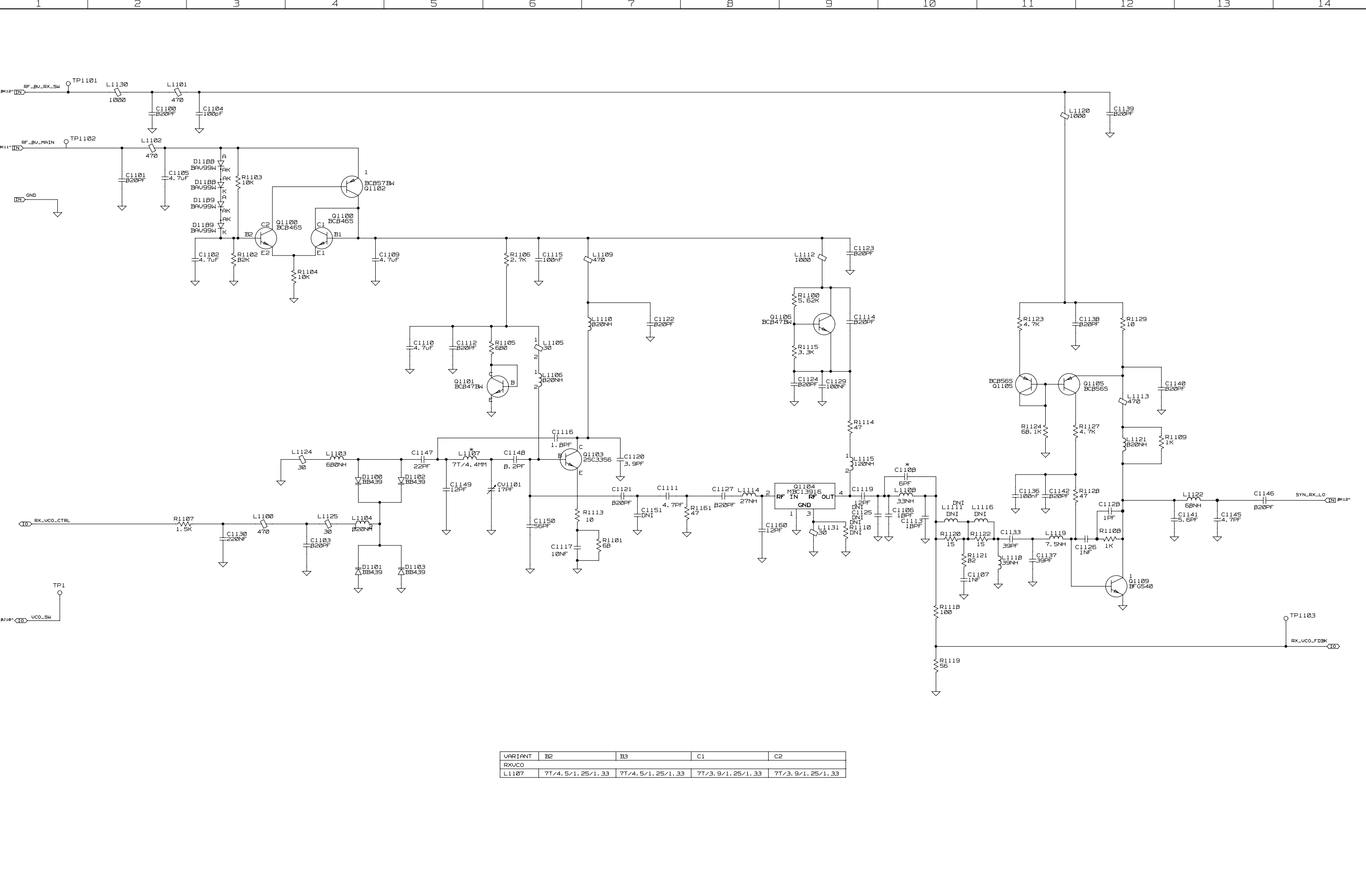
© TAIT ELECTRONICS		A1
TB8100 RECEIVER SYNTH		
IPN: 220-02049-03	ISSUE: A	VARIANT NUMBER: B3
FILE DATE: Wed Jun 15 15:46:22 2005		
ENGINEER: S Heald	FILE NAME: 220_02049	SHEET NUMBER: 9 OF 14

REV/ISS	AMENDMENTS	DRAWN	CHKD	D. O.	APVD	DATE
1						



© TAIT ELECTRONICS		A1
TB8100 EXCITER SYNTH		
IPN: 220-02049-03	ISSUE: A	VARIANT NUMBER: B3
FILE DATE: Wed Jun 15 15:46:34 2005		
ENGINEER: S Heald	FILE NAME: 220_02049	SHEET NUMBER: 10 OF 14

REV/ISS	AMENDMENTS	DRAWN	CHKD	D.O.	APVD	DATE
1						

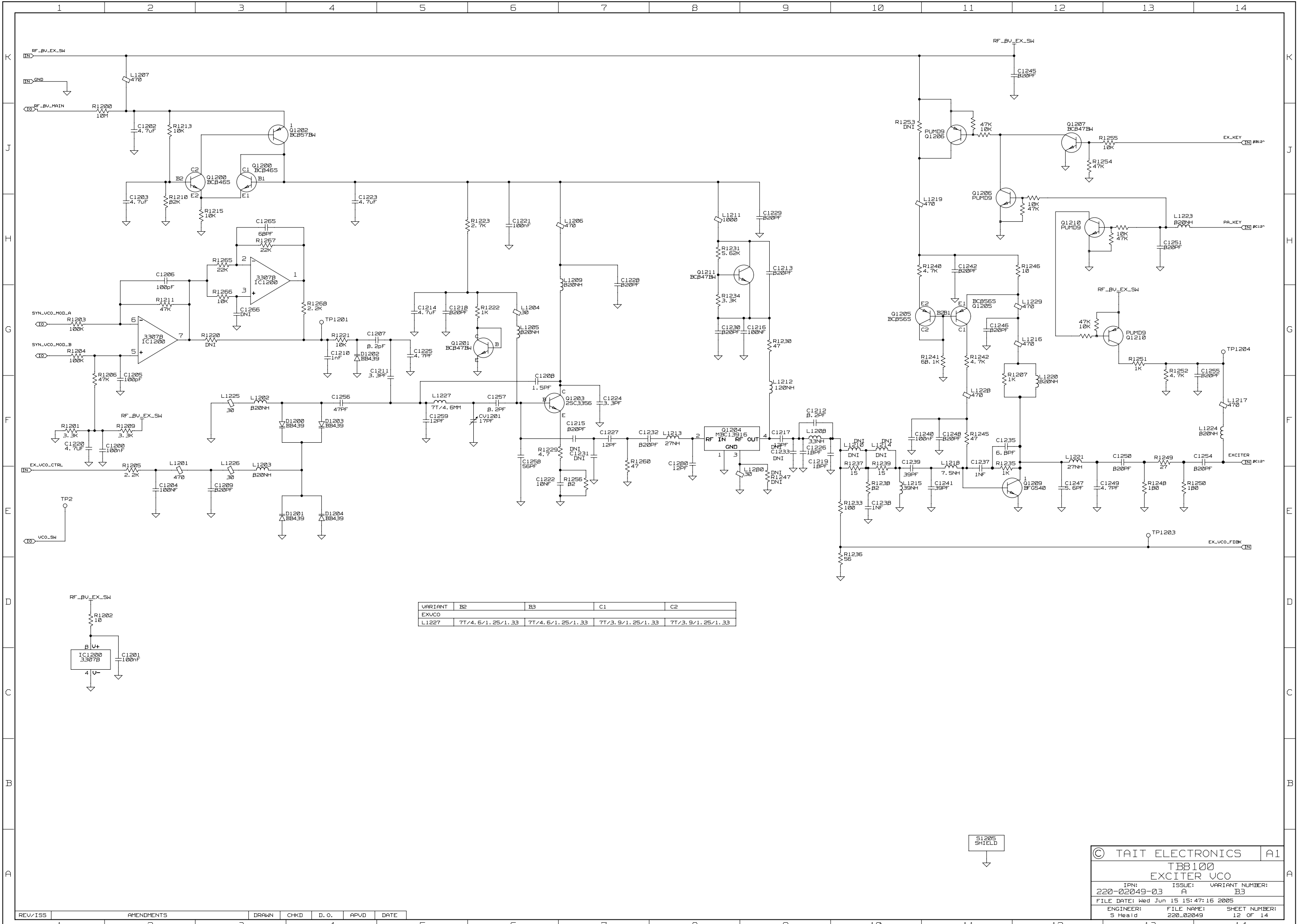


VARIANT	B2	B3	C1	C2
RXUCO				
L1107	7T/4.5/1.25/1.33	7T/4.5/1.25/1.33	7T/3.9/1.25/1.33	7T/3.9/1.25/1.33

S1105 SHIELD

© TAIT ELECTRONICS		A1
TB8100 RECEIVER UCO		
IPN: 220-02049-03	ISSUE: A	VARIANT NUMBER: B3
FILE DATE: Wed Jun 15 15:46:57 2005		
ENGINEER: S Heald	FILE NAME: 220_02049	SHEET NUMBER: 11 OF 14

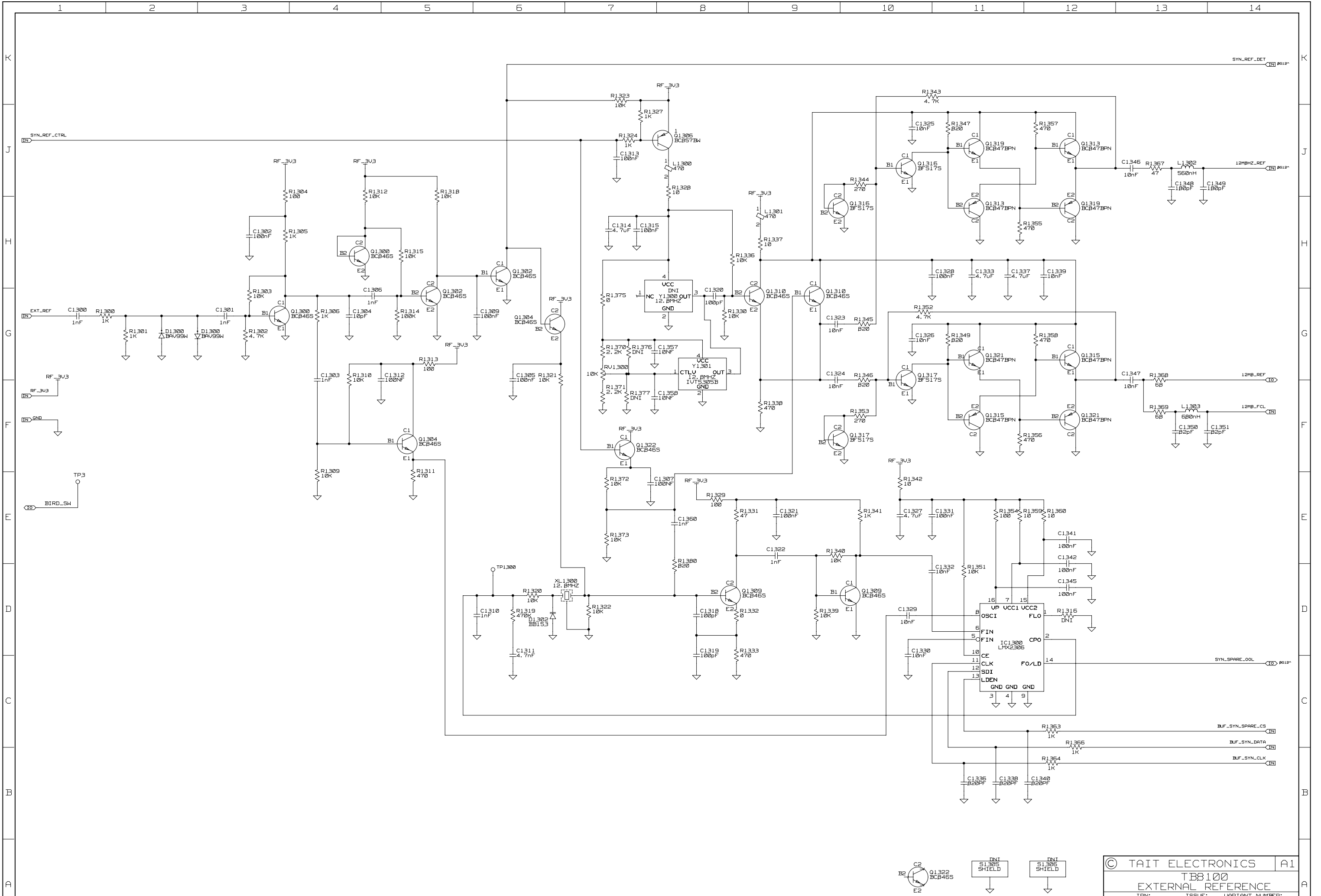
REV/ISS	AMENDMENTS	DRAWN	CHKD	D.O.	APVD	DATE
1						



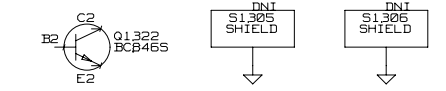
VARIANT	B2	B3	C1	C2
EXUCO				
L1227	7T/4.6/1.25/1.33	7T/4.6/1.25/1.33	7T/3.9/1.25/1.33	7T/3.9/1.25/1.33

S1205 SHIELD

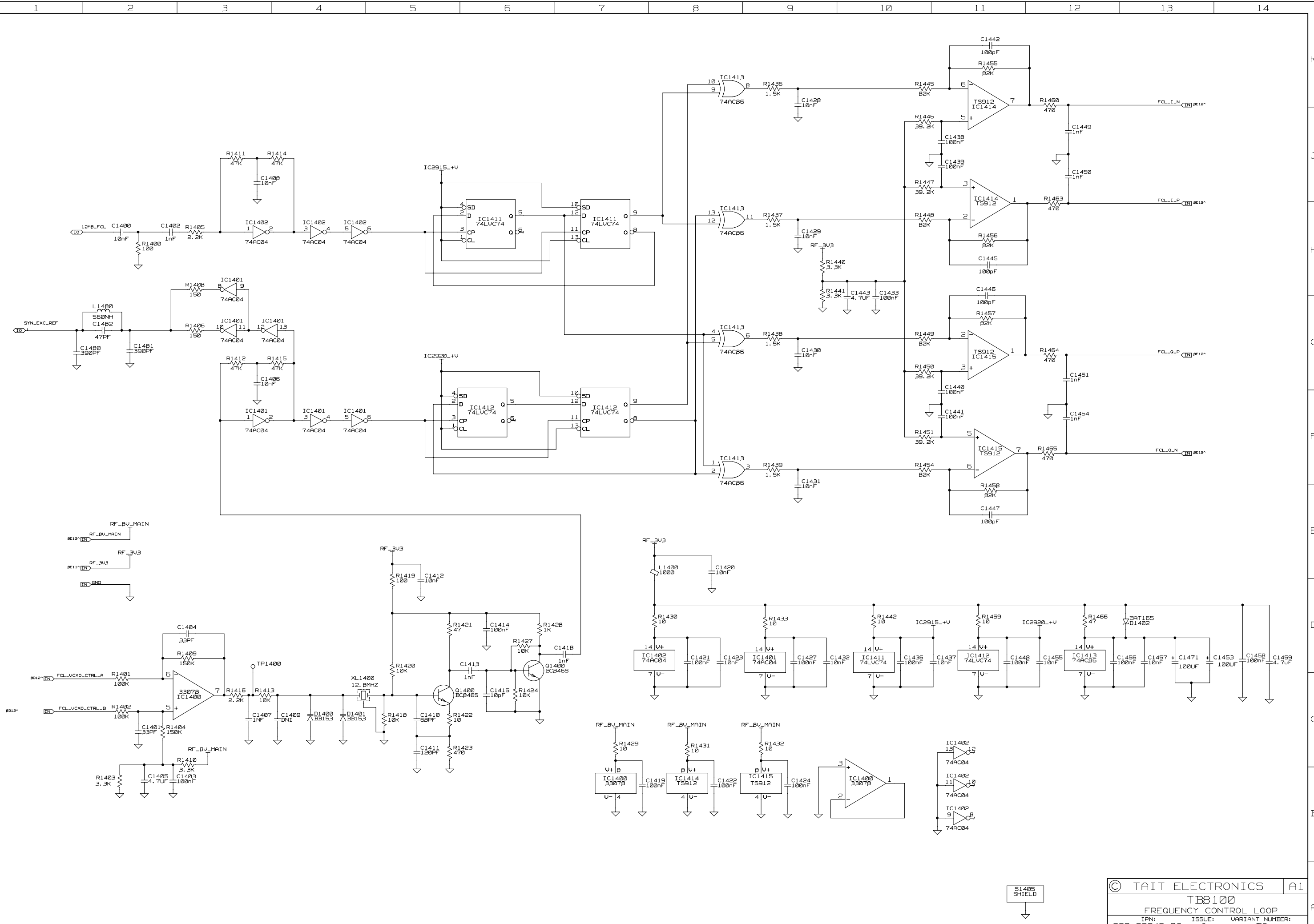
© TAIT ELECTRONICS		A1
TB8100 EXCITER VCO		
IPN: 220-02049-03	ISSUE: A	VARIANT NUMBER: B3
FILE DATE: Wed Jun 15 15:47:16 2005		
ENGINEER: S Heald	FILE NAME: 220_02049	SHEET NUMBER: 12 OF 14



REV/ISS	AMENDMENTS	DRAWN	CHKD	D.O.	APVD	DATE
1						



© TAIT ELECTRONICS		A1
TB8100		
EXTERNAL REFERENCE		
IPN:	ISSUE:	VARIANT NUMBER:
220-02049-03	A	B3
FILE DATE: Wed Jun 15 15:47:35 2005		
ENGINEER:	FILE NAME:	SHEET NUMBER:
S Heald	220_02049	13 OF 14



S1405 SHIELD

© TAIT ELECTRONICS		A1
TB8100		
FREQUENCY CONTROL LOOP		
IRN:	ISSUE:	VARIANT NUMBER:
220-02049-03	A	B3
FILE DATE: Wed Jun 15 15:47:55 2005		
ENGINEER:	FILE NAME:	SHEET NUMBER:
S Heald	220_02049	14 OF 14

REV/ISS	AMENDMENTS	DRAWN	CHKD	D. O.	APVD	DATE
1						